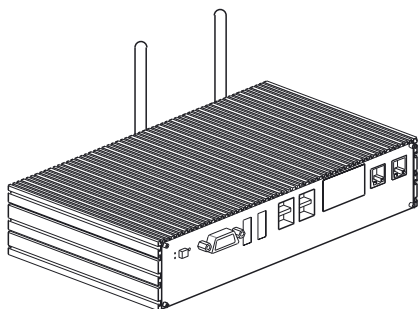


SERVERS

Large Server (Cat. No: 659182)



- Server Unit (x 1)
- Antenna (x 2)
- Mains Power Supply Adapter and Cable - Black (x 1)
- Connectors - Green (x 3)
- Mounting Bracket (x 2)
- Mounting Screws (x 4 pcs)

Power Button LED Indicator

- Amber - Standby Power
- Blue - Power ON
- OFF - Power OFF

HDD LED

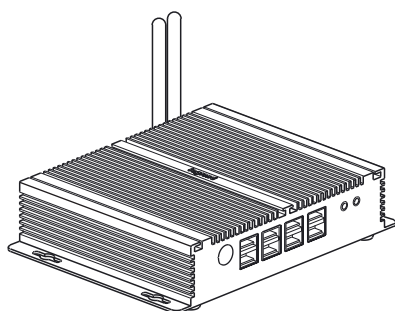
- Flashing during hard drive activity

PWR LED Indicator

- Green - Power ON
- OFF - Power OFF

4 LAN Ports

Medium Server (Cat. No: 659181) / Small Server (Cat. No: 659180)



- Server Unit (x 1)
- Antenna (x 2)
- Mains Power Supply Adapter and Cable - Black (x 1)
- Mounting Screws (x 4 pcs)

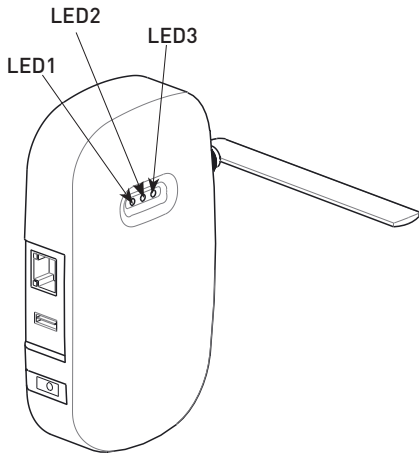
Power button LED Indicator

- Blue - Power ON
- OFF - Power OFF

2 LAN Ports (Small Server)

STATIONS

Small Station (Cat. No: 659183)



- Station Unit (x 1)
- Antenna (x 1)
- Mains Power Supply Cable (x 1)
- Wall Mounting Bracket with Screws (x 1)

LED 1 - Power

- Red (Blinking) - During system initialisation
- Green (Blinking) - During system initialisation
- Green - When initialisation is complete

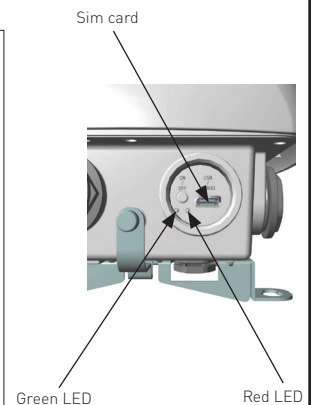
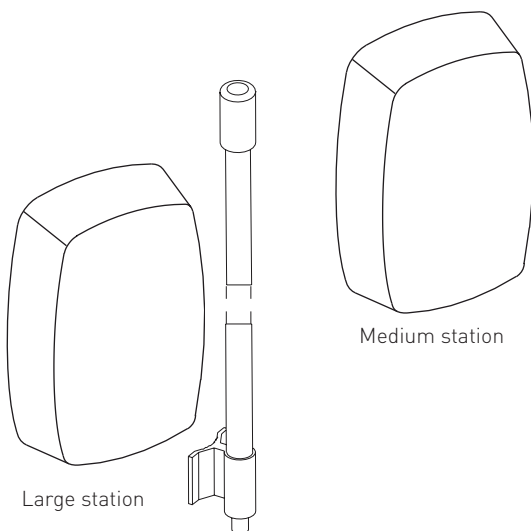
LED 2 - Communication

- Red - During system initialisation / Communication disconnected
- Green (Blinking) - During communication initialisation
- Green - Communication established

LED 3 - Communication traffic

- Red - During initialisation
- Green (Blinking) - Indicated data is being received
- Red (Blinking) - Indicated data is being sent

Large Station (Cat. No: 659185) / Medium Station (Cat. No: 659184)

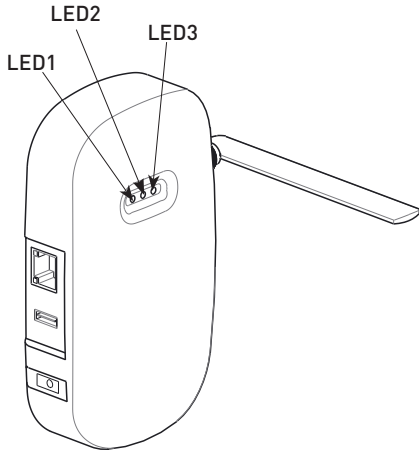


- Station Unit (x 1)
- Earthing Wire and Glands (x 1)
- Large Antenna (x 1 Large Station only)
- Antenna Cable (x 1 Large Station only)
- Antenna Adapter (x 1 Large Station only)
- POE Injector with Power Cable (x 1)
- Wall Mounting Bracket with Screws (x 1)

LED Indications

- Green - Power ON
- Red (Blinking) - During system initialisation
- OFF - When initialisation is complete

Small 4G Station (Cat. No: 659191)



LED 1 - Power

- Red (Blinking) - During system initialisation
- Green (Blinking) - During system initialisation
- Green - When initialisation is complete

LED 2 - Communication

- Red - During system initialisation / Communication disconnected
- Green (Blinking) - During communication initialisation
- Green - Communication established

LED 3 - Communication traffic

- Red - During initialisation
- Green (Blinking) - Indicated data is being received
- Red (Blinking) - Indicated data is being sent

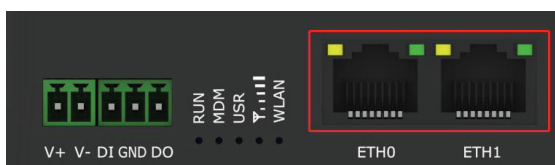
- Station Unit (x 1)
- Sim Card Slot
- Antenna (x 1)
- Mains Power Supply Cable (x 1)
- Wall Mounting Bracket with Screws (x 1)
- 1 x Robustel R1510 Industrial Cellular VPN Router
- 1 x 2-pin (3.5 mm) Male Terminal Block for Power Supply
- 1 x 3*5 pin (3.5 mm) Male Terminal Block for DIDO
- 2 x 3G/4G SMA-J Cellular Antenna
- Ethernet Cable
- 1x SIM Card Sticker
- AC/DC 12 V DC Power Adapter
- Wall Mounting Kit



4G Router

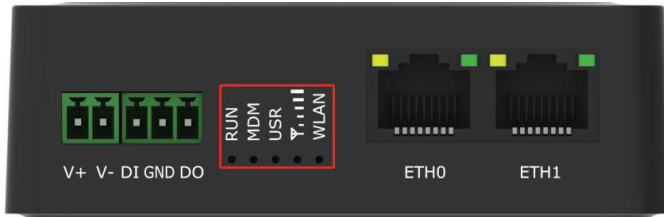


Ethernet port indicators



| Indicator | Status | Description |
|-------------------------|-------------|-------------------------------|
| Link Indicator (Yellow) | ON -Solid | Connection is established |
| | ON-Blinking | Data is being transferred |
| | OFF | Connection is not established |

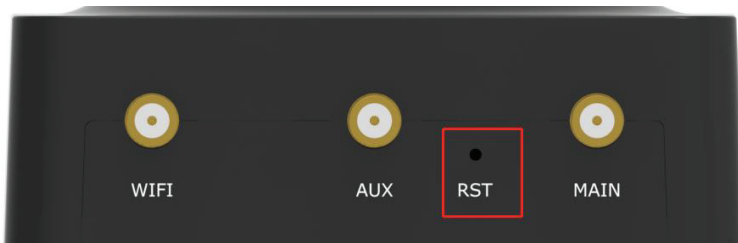
LED Indicators



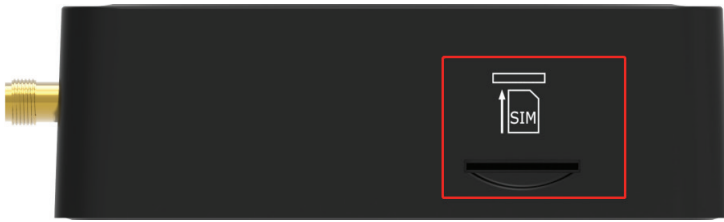
| Name | Colour | Status | Description | |
|--|------------|---------------|---|--|
| RUN | Green | ON - Solid | Router is powered ON (System is initializing) | |
| | | ON -Blinking | Router starts operating | |
| | | OFF | Router is powered OFF | |
| MDM | Green | ON - Solid | Link connection is working | |
| | | ON - Blinking | Data send and received | |
| | | OFF | Link connected is not working | |
| USR | USR- Open | Green | ON - Solid | Open VPN connection is established |
| | VPN | | OFF | Open VPN connection is not established |
| | USR-IP Sec | Green | ON - Solid | IP sec connection is established |
| | | | OFF | IP sec connection is not established |
| RSSI (Represented by five bars signal) | Green | ON - Solid | Signal level: Wireless module: 21-31 dB (High Signal strength) | |
| | Green | ON-Blinking | Signal level: Wireless module: 11-20 dB (Medium Signal strength) | |
| | Green | OFF | Signal level: Wireless module: 1-10 dB (Low Signal strength) | |
| Wi-Fi | Green | ON - Solid | Wi-Fi is enabled and working properly | |
| | Green | OFF | Wi-Fi is disabled or not working properly | |

Note: Click services> Advanced>System>System Settings> Custom LED Light type to set the display type of USR LED.

Reset Button



| Function | Operation |
|-------------------------------------|--|
| Reboot | Press and hold the RST button for 2 to 7 seconds under the operating status. |
| Restore to factory default settings | Wait for 0-20 secs after powering up the router, press and hold the RST button until all five LEDs start blinking one by one, and release the button to return the router to factory defaults. |



Insert or remove the SIM card as shown in the following steps.

■ Insert SIM card

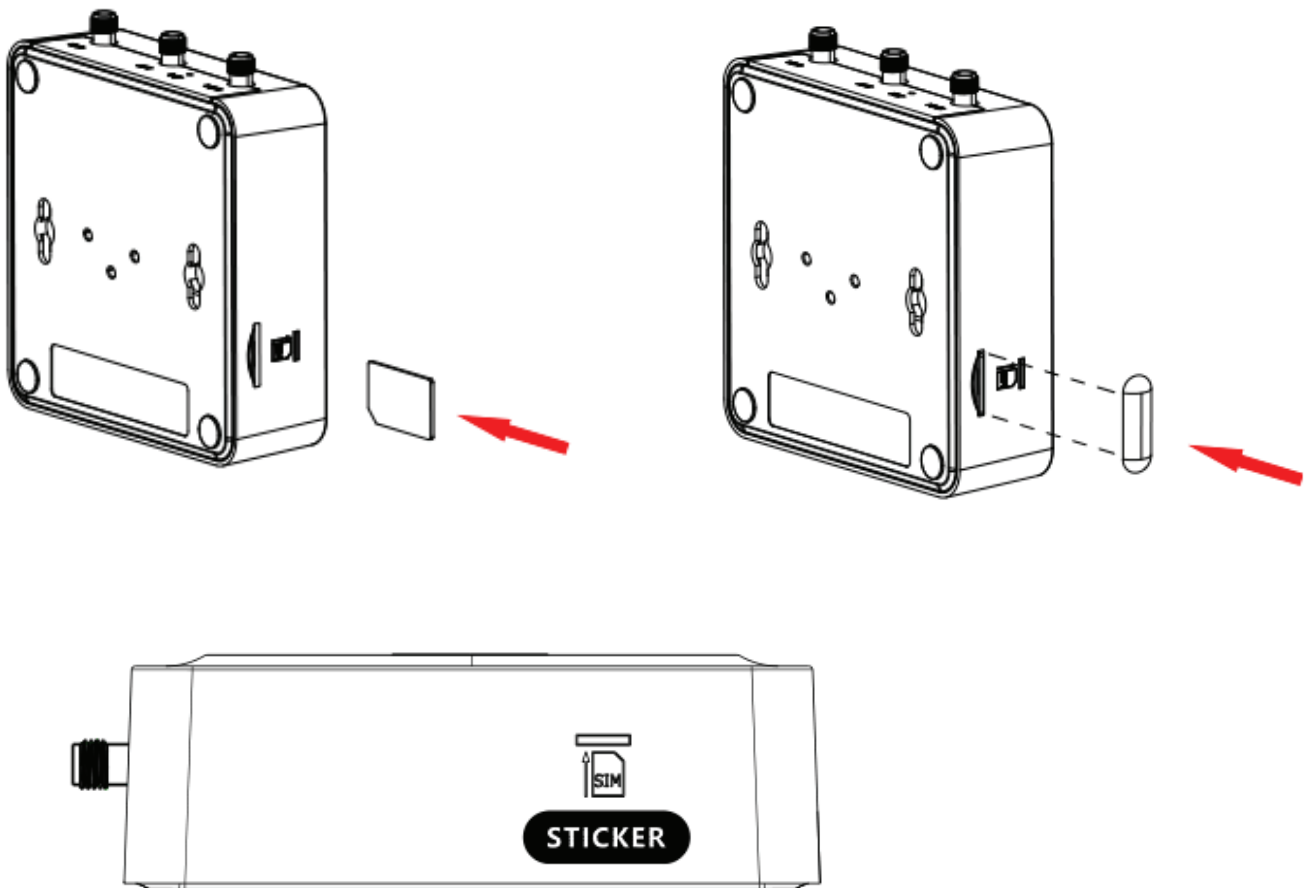
1. Make sure the router is powered OFF.
2. To insert a SIM card, press the card with your finger until you hear a click.
3. After the SIM card is inserted, attach the SIM card sticker to the card slot.

■ Remove SIM card

1. Make sure the router is powered OFF.
2. Tear the SIM card sticker from the slot.
3. To remove the SIM card, press the card with a finger until it pops out and then take out the card.

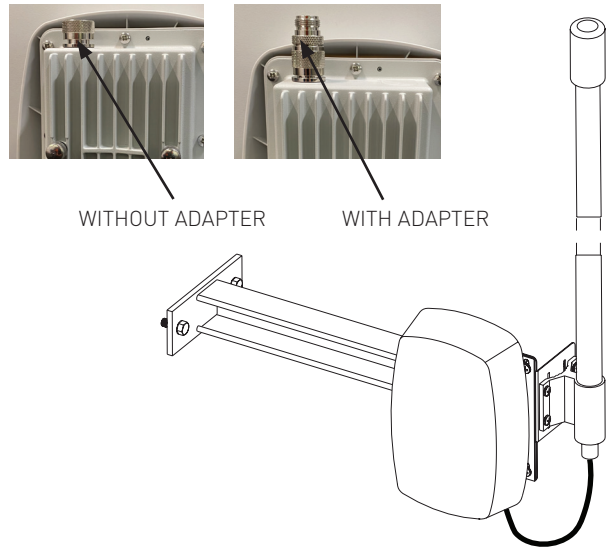
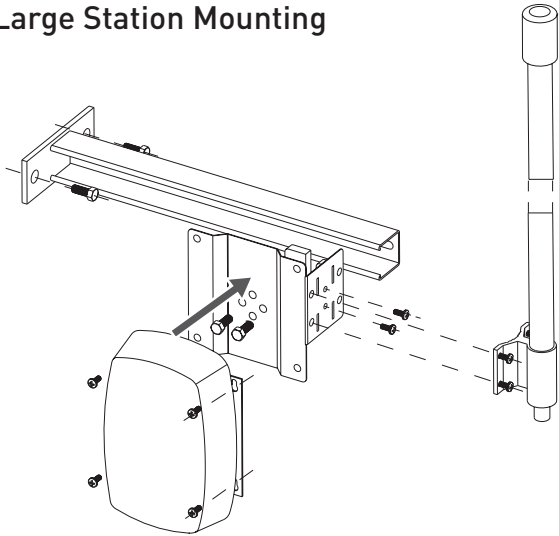
Note:

1. Use the specific M2M SIM card when the device is working in extreme temperature because the regular card working in a harsh environment for a long time will be disconnected frequently.
2. Do not touch the metal of the card surface in case information on the card will be lost or destroyed.

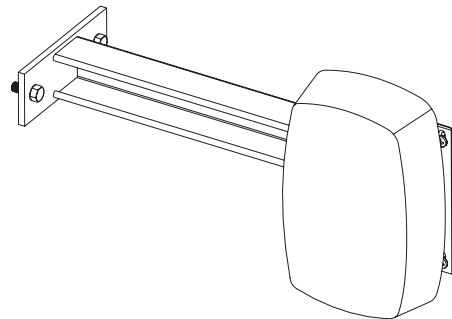
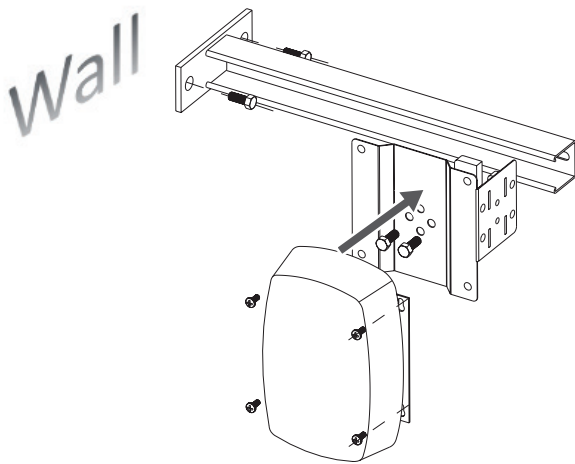


MOUNTING BRACKETS

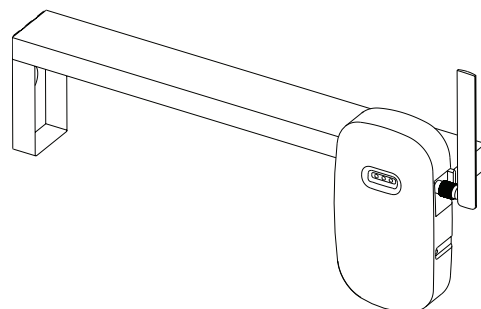
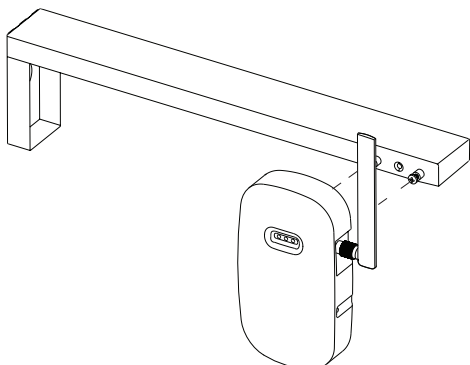
Large Station Mounting



Medium Station Mounting



Small Station Mounting



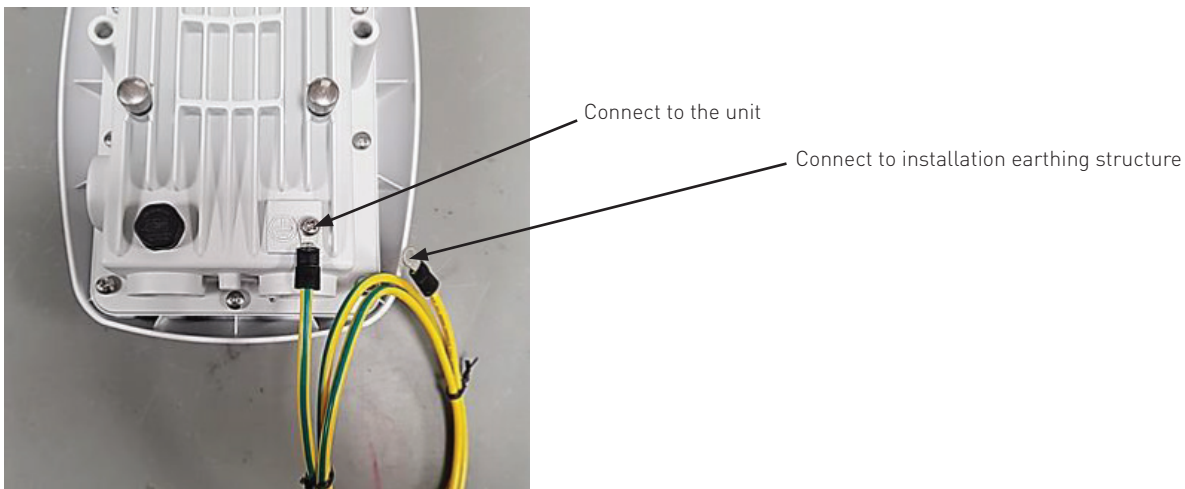
Things to consider before/after installation

- Isolate 240 V mains supply before maintenance or installation.
- None of the devices should be switched On/OFF after installation.
- Follow the LED indicator functions.
- Make sure the antenna is pointing vertically upwards (Large station only).
- The antenna should be placed away from the walls and surfaces in order to perform effectively (Large station only).
- Please note that mounting bracket must be installed to achieve optimum performance.
- Secure the stations onto the mounting bracket onto the desired wall or structure before connecting.
- Ensure you have 4G coverage.

Earthing Galaxy Stations and Accessories

Earthing the Medium and Large Stations

The station is provided with a green/yellow cable for earthing. A pre-existing screw hole is available on the metal enclosure of the station, marked with an earth symbol (as shown).



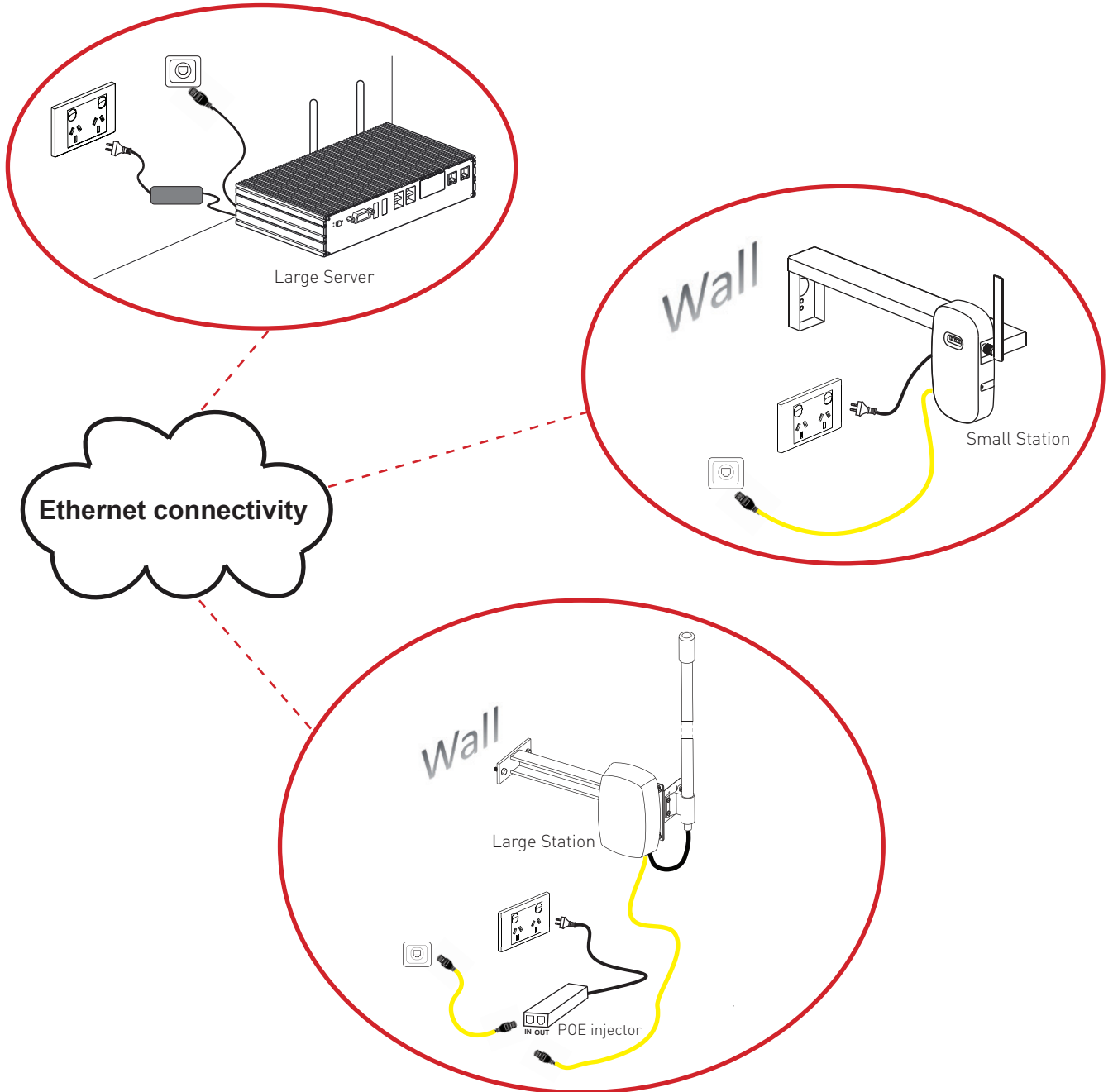
Earthing the Station Mounting Bracket

It is strongly recommended to earth the station mounting bracket to prevent surges that may damage the station.

Earthing can be completed by:

- **Pole Mounting:** By using the metallic strapping.
- **Wall Mounting:** By using M4 screws (provided). The earthing connection is done through a ring terminal. A specific crimping tool is required to perform the operation. The earthing cable must be crimped inside this ring terminal.

Ethernet Connection

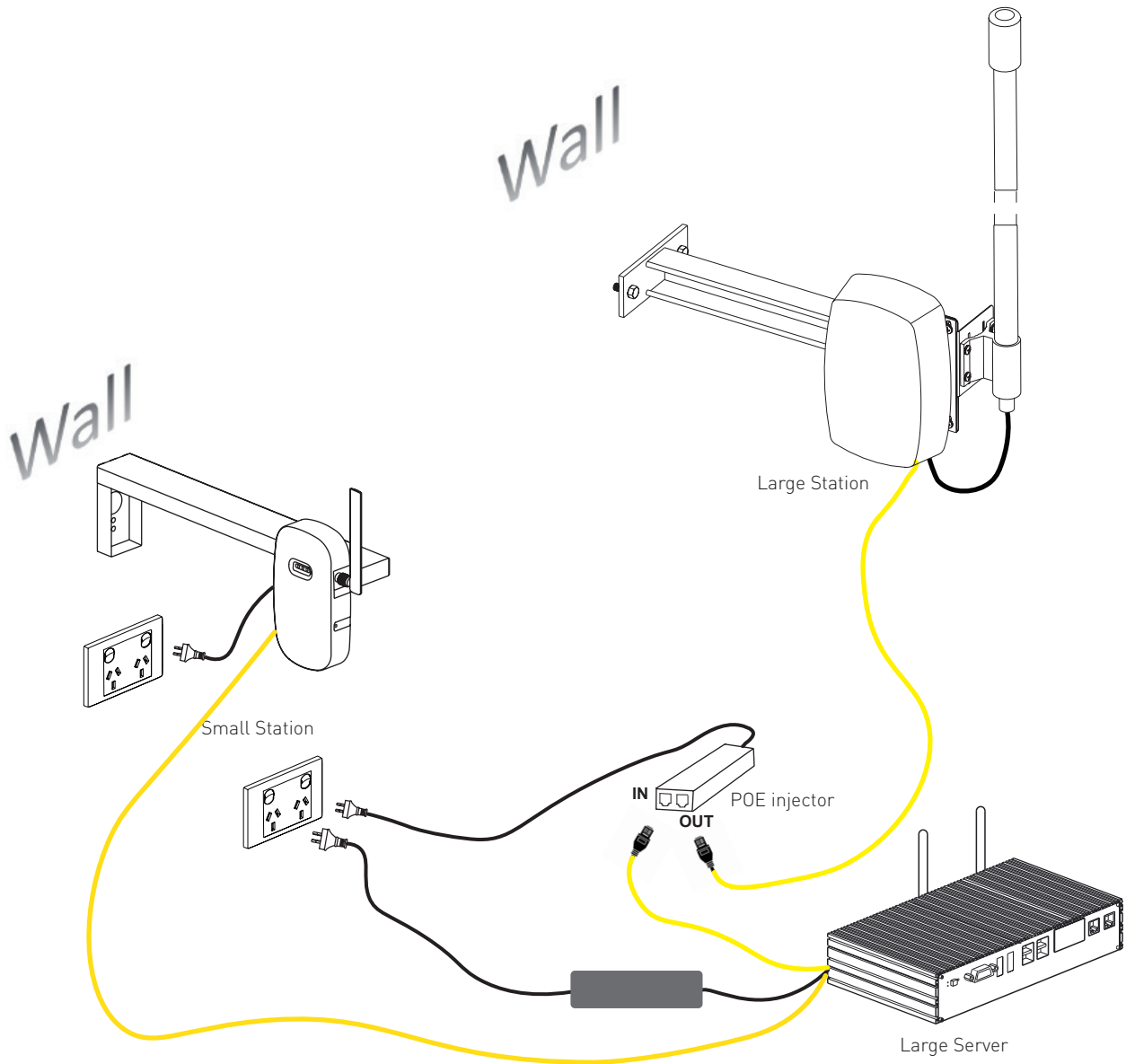


Note: Maximum distance between POE injector and the station should be < 100 m.

1. Plug the power cord of all units into the power outlet (Do not turn **ON**).
2. Connect the Server, POE and Station to an available ethernet socket outlet. Ensure that the Server and Stations are on the same subnet (local IT may need to assist).
3. Turn **ON** the power at the outlet and the Server will automatically turn **ON**.

Note: Contact Legrand prior to installation and for commissioning.

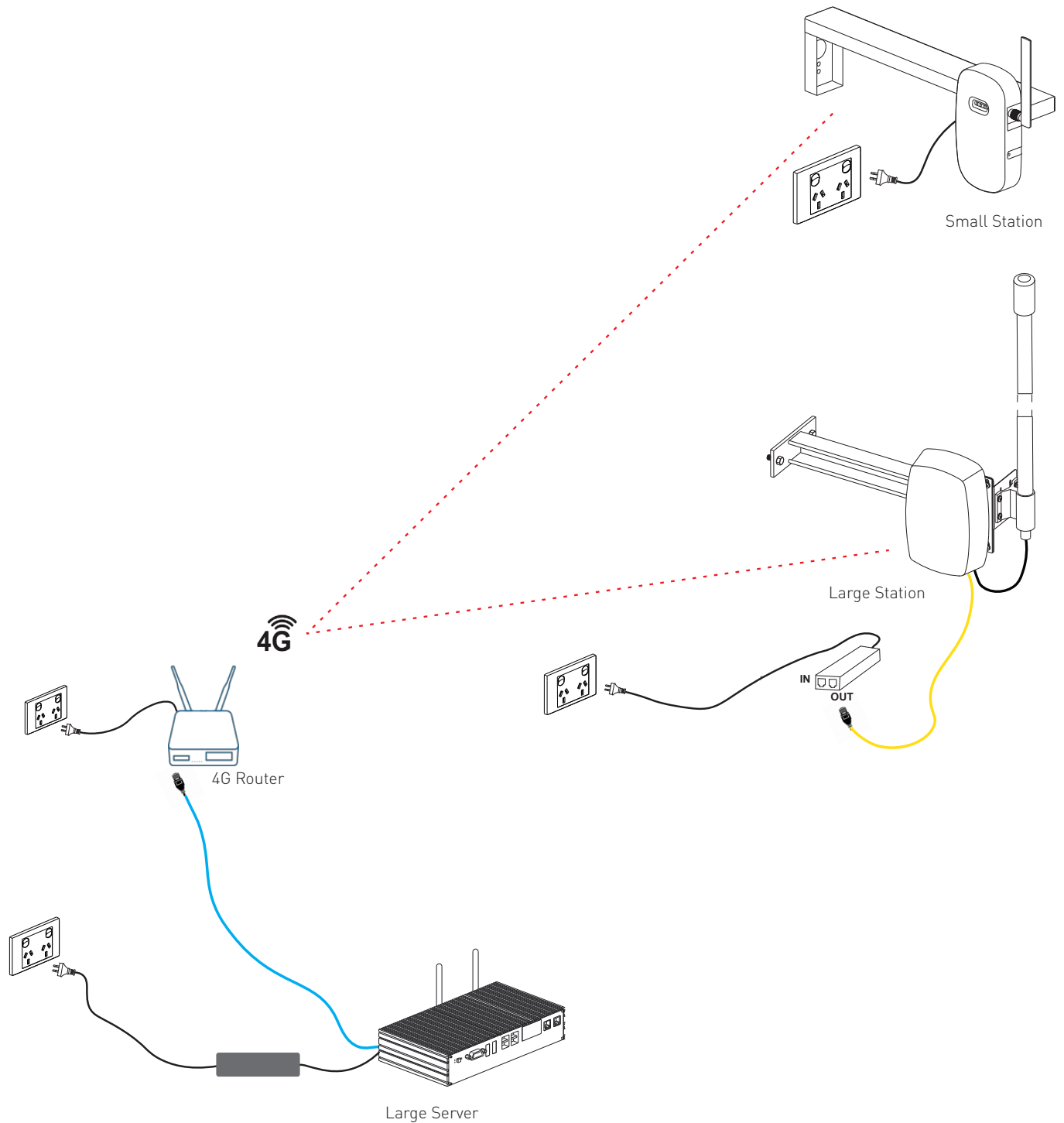
Direct Connection



1. Plug the power cord of all units into the power outlet (Do not turn **ON**).
2. Make a direct connection from the Server to the Station using the Legrand yellow Cat 6 cable (Cat. No. 659187).
Stations are wired back as a star formation to the Server if there is more than one Station on site. A galaxy LAN extender accessory (Cat. No: 659187) must be used if the distance between the Server and Station exceeds 100 m.
3. Turn **ON** the power at the outlet and the Server will automatically turn **ON**.

Note: Contact Legrand prior to installation and for commissioning.

4G Connection



Note: We can have combination of both wireless and wired connection in one connection. Contact Legrand prior to installation and for commissioning.

GALAXY ACCESSORIES

Ethernet extender kit (Cat. No: 659188)

Application diagram



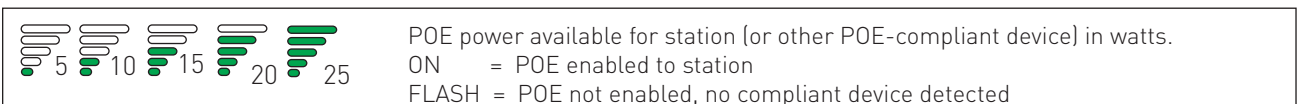
LED indication



The green LED may blink quickly while connecting (for extremely long runs, it may take a few seconds to optimise the link).

POE Status (Green)

In normal operation, the LEDs will display the power available in flashing or steady green:



The power level is displayed after the station-side unit has powered up. Available power depends on the cable length, cable gauge, and the POE source used.

Warranty

Legrand Australia Pty Ltd warrants this product for a period of 5 years from the date of purchase. These goods come with guarantees that cannot be excluded under the Australian and New Zealand Consumer Laws. You are entitled to a replacement or a refund for a major failure and compensation for any other reasonably foreseeable loss or damage. You are also entitled to have the goods repaired if the goods fail to be acceptable quality and the failure does not amount to a major failure.

Customer Service

For all Customer Service and Technical Support enquires please call Monday to Friday during business hours.

Legrand Australia
 1300 369 777
www.legrand.com.au

Legrand New Zealand
 0800 476 009
www.legrand.co.nz

ABN: 31 000 102 661

